

panda futura

size 5

Exploded views / Part lists

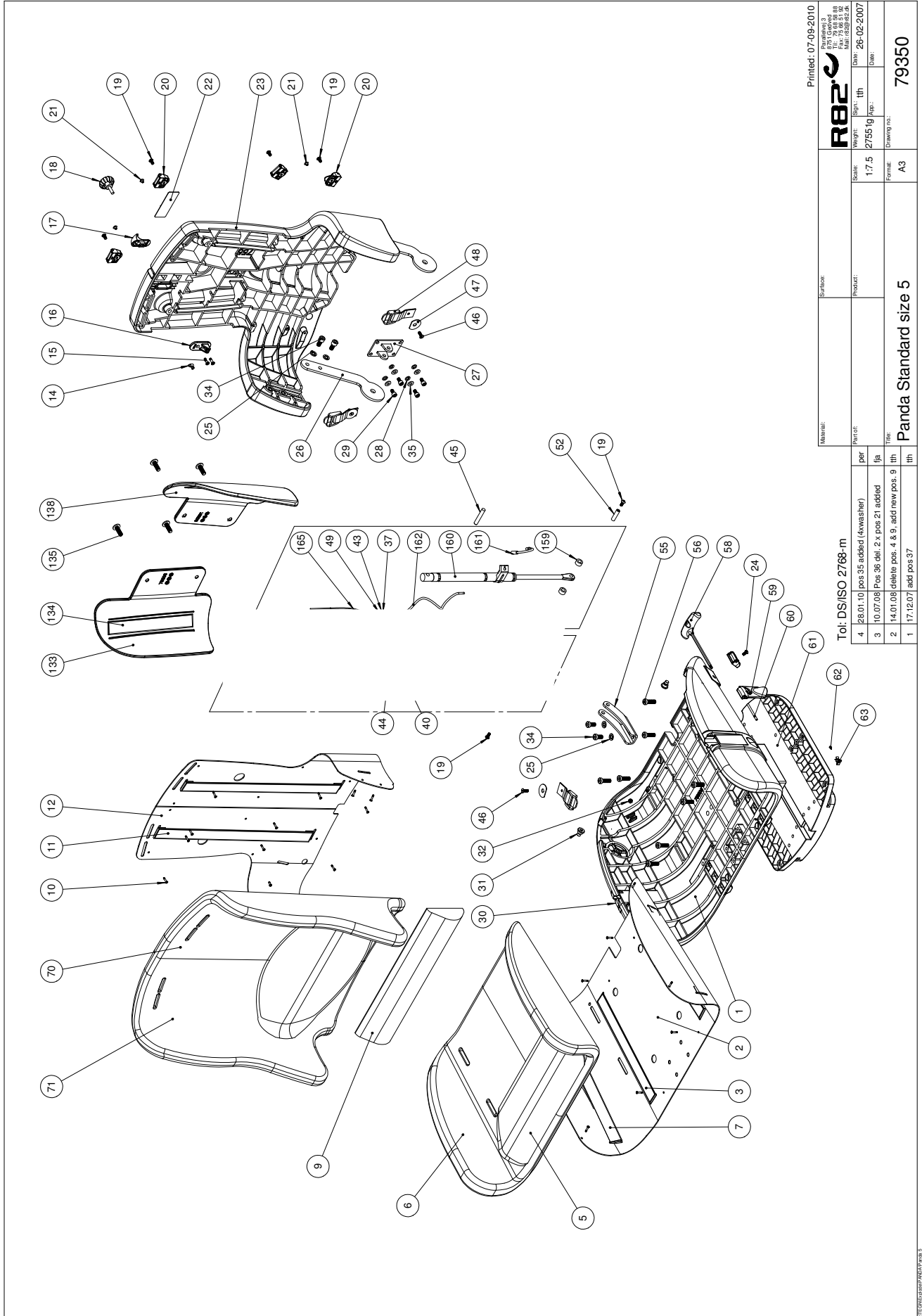
Rev. date (July 2008)

On the following pages you will find the parts used to assemble this product. Please note that some spare parts cannot be purchased individually but are part of a complete kit. Please also note that for some spare parts extra delivery time may occur.



Contents

Standard size 5.....	3
Active size 5.....	6
Arm support, Back sides support, back extension and seat extension	8



Printed: 07-09-2010

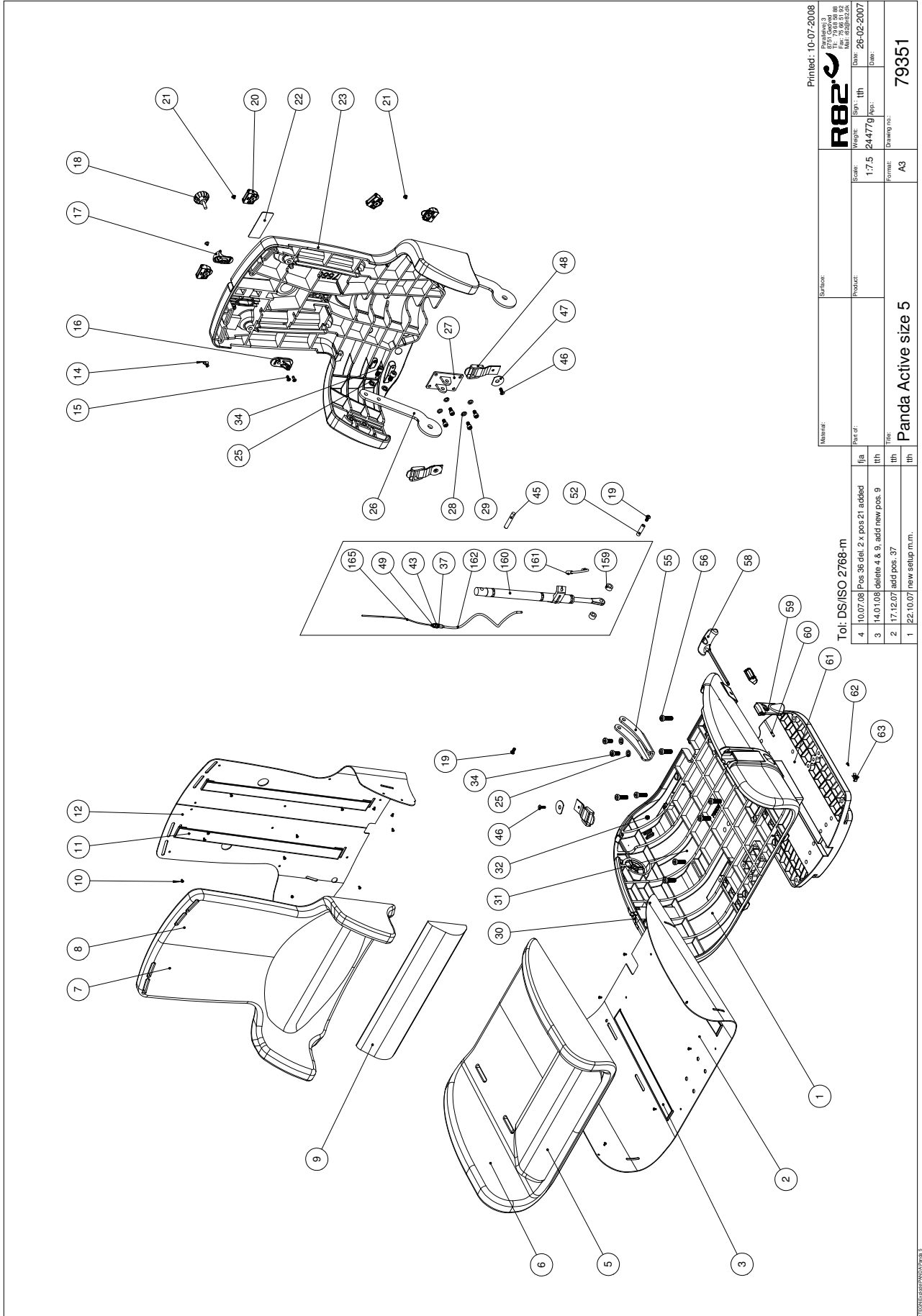
Material:		Surface:	
Part of:		Product:	
Weight:	2755 kg	Scale:	17.5
App:		Form:	A3
Date:	26-02-2007	Drawing no.:	79350

Tot: DS/ISO 2768-m

	per	lpa	lth
4	28.01.10	pos 35 added (4xwasher)	
3	10.07.08	Pos 26 del. 2 x pos 21 added	
2	14.01.08	delete pos. 4 & 9, add new pos. 9	
1	17.12.07	add pos 37	

Position	Art. No.	Description	Unit of measure	Quantity	Ean code
1	75505	SEAT PANDA SIZE 5	PCS	1	5707292466648
2	75506	COVER PLATE SEAT	PCS	1	5707292460288
3	4913035	30mm black PS14 with glue hook	METER	0,76	5707292469755
5+6	89624-60	SEAT CUSHION, PANDA 5	PCS	1	5707292483140
9	5700251	LUMBAR SUPPORT, PANTHER 2	PCS	1	5707292180919
10	1940010	PLASTITE 60, 2,9*6,5	PCS	22	5707292142573
11	4913035	30mm black PS14 with glue hook	METER	1	5707292469755
12	75501	COVER PLATE BACK	PCS	1	5707292460370
14	0388010	Screwnippel 7*7mm	PCS	1	5707292136121
15	1940006	ECO SYN 3,5*16,US hoved	PCS	2	5707292474902
16	75514	Bund for udløserknap	PCS	1	5707292466655
17	75513	HANDLE FOR BACK ADJUSTMENT	PCS	1	5707292466662
18	3501201	R82 handle M8*25mm Screw	PCS	1	5707292413932
19	0640911	BUTTON HEAD M5*10 FZB TUFLOK	PCS	8	5707292428479
20	75306	SNAP LOCK R82 25	PCS	8	5707292437624
21	1310542	AFDÆKN.KNAP,SORT Ø8*Ø5MM	PCS	4	5707292472014
22	6153210	DÆKPLADE I METAL T. PANDA-5	PCS	1	5707292467027
23	75500	BACK PANDA FUTURA SIZE 5	PCS	1	5707292466679
25	1100500	SPRING WASHER 8MM, STAINLESS	PCS	6	5707292140142
26	75521	MOUNTING FOR SEAT/BACK	PCS	2	5707292460752
27	75526	MOUNTING FOR GAS SPRING	PCS	1	5707292460783
28	1100800	CENTER SPRING WASHER 6MM	PCS	4	5707292140166
29	0602200	INSEX SCREW 6*16	PCS	4	5707292138095
30	75516	HANDLE FOR ARMREST, RIGHT	PCS	1	5707292466686
31	6109002	SKRUE SPEC. M8, PANDA 5	PCS	2	5707292466754
32	1606300	LOCK NUT 5 MM	PCS	2	5707292141354
34	0603540	INSEX LOW HEAD M8x16 STAINLESS	PCS	6	5707292412485
37	1760005	COMPENSATING NUT 8MM	PCS	1	5707292141491
43	1102900	FAZET WASHER 5 MM	PCS	2	5707292140272
45	6118805	PIN Ø8*44 F. PANDA BACK, PVC	PCS	1	5707292186690
46	0610516	COUNTER INSEX M5*16	PCS	4	5707292138644
47	1125000	SCREENWASHER FZB BLACK 5/16*30	PCS	4	5707292140470
48	5550260	SYET SELEHOLDER,INDV.PAN.FUTUR	PCS	4	5707292178459
49	0380000	CABLE TIGHTER M5*23	PCS	1	5707292135933
52	75527	BØSNING Ø10*28-M6	PCS	1	5707292460790
55	75523	BESLAG FOR RYG JUST.	PCS	1	5707292460745
56	0602485	INSEX M8*25,LOW HEAD,STAINLESS	PCS	8	5707292432216
58	75291	HEXAGON KEY NV=5	PCS	1	5707292437655
59	75517	Håndtag for armlæn venstre	PCS	1	5707292466693
60	0529320	CYL.STIFT Ø4,0X50 MM.	PCS	2	5707292467201
61	75003	Baseplate 3	PCS	1	5707292458766
62	1810055	PLADESKRUE ST 2,9*6,5	PCS	1	5707292469519
63	0235080	SPRING CLIP	PCS	1	5707292442901
70+71	89626-60	BACK CUSHION, PANDA STD. 5	PCS	1	5707292483133
133	75508	BACK SIDE, RIGHT, PANDA 5	PCS	1	5707292466907
134	4913035	30mm black PS14 with glue hook	METER	0,32	5707292469755
135	0662501	BUTTON HEAD M/FLANGE 8*25	PCS	4	5707292403759
138	75509	BACK SIDE, LEFT, PANDA 5	PCS	1	5707292466914
159	1350010	DISTANCEPART BLACK 8*15*8,2MM	PCS	2	5707292140883

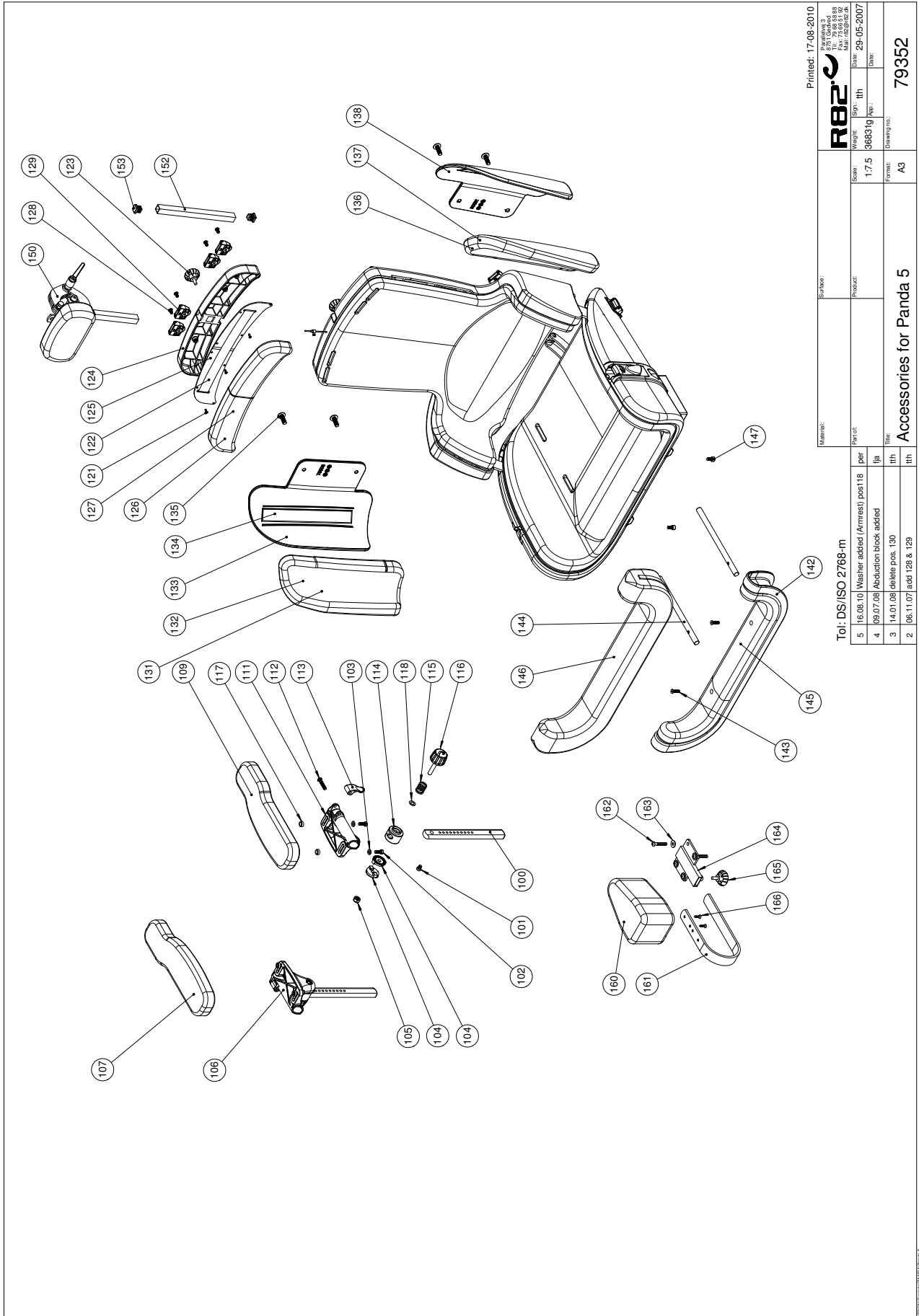
160	2207030	Springstopper L=403/268	PCS	1	5707292466082
161	0380060	CABLING, FLEXIBLE	PCS	1	5707292425195
162	5002930	SPRING STOPPER OUTER CASING	PCS	1	5707292472038
165	0371853	STRAINED WIRES 1,5MM 19T.	PCS	1	5707292135889



Printed: 10-07-2008

Material:	Surface:	Scale:	Weight:	Sign:	Unit:	Date:
		1:7.5	24477 g	mm	mm	26-02-2007
Tol: DS/ISO 2768-m		Part of:	R82			
4	10.07.08	Pos 36 del. 2 x pos 21 tudead	lfta			
3	14.01.08	skoleie 4 & 9, add new pos. 9	ttth			
2	17.12.07	add pos. 37	ttth			
1	22.10.07	new setup m.m.	ttth			
Panda Active size 5		Form:	A3			
Drawing no.:		79351				

Position	Art. No.	Description	Unit of measure	Quantity	Ean code
1	75505	SEAT, PANDA 5	PCS	1	5707292466648
2	75506	COVER PLATE SEAT	PCS	1	5707292460288
3	4913035	30mm black PS14 with glue hook	METER	0,76	5707292469755
5+6	89624-60	SEAT CUSHION, PANDA 5	PCS	1	5707292483140
7+8	89627-60	BACK CUSHION F/ PANDA ACT 5	PCS	1	5707292483102
9	5700251	LUMBAR SUPPORT	PCS	1	5707292180919
10	1940010	PLASTITE 60, 2,9*6,5	PCS	22	5707292142573
11	4913035	30mm black PS14 with glue hook	METER	1	5707292469755
12	75501	COVER PLATE BACK	PCS	1	5707292460370
14	0388010	Screwnippel 7*7mm	PCS	1	5707292136121
15	1940006	ECO SYN 3,5*16,US hoved	PCS	2	5707292474902
16	75514	Bund for udløserknap	PCS	1	5707292466655
17	75513	HANDLE FOR BACK ADJUSTMENT	PCS	1	5707292466662
18	3501201	R82 handle M8*25mm Screw	PCS	1	5707292413932
19	0640911	BUTTON HEAD M5*10 FZB TUFLOK	PCS	8	5707292428479
20	75306	SNAP LOCK R82 25	PCS	8	5707292437624
21	1310542	AFDÆKN.KNAP, SORT Ø8*Ø5MM	PCS	4	5707292472014
22	6153210	COVER PLATE, METAL	PCS	1	5707292467027
23	75500	BACK PANDA FUTURA SIZE 5	PCS	1	5707292466679
25	1100500	SPRING WASHER 8MM, STAINLESS	PCS	6	5707292140142
26	75521	MOUNTING FOR SEAT/BACK	PCS	2	5707292460752
27	75526	MOUNTING FOR GAS SPRING	PCS	1	5707292460783
28	1100800	CENTER SPRING WASHER 6MM	PCS	4	5707292140166
29	0602200	INSEX SCREW 6*16	PCS	4	5707292138095
30	75516	HANDLE FOR ARMREST, RIGHT	PCS	1	5707292466686
31	6109002	SKRUE SPEC. M8, PANDA 5	PCS	2	5707292466754
32	1606300	LOCK NUT 5 MM	PCS	2	5707292141354
34	0603540	INSEX LOW HEAD M8x16 STAINLESS	PCS	6	5707292412485
37	1760005	COMPENSATING NUT 8MM	PCS	1	5707292141491
43	1102900	FAZET WASHER 5 MM	PCS	2	5707292140272
45	6118805	PIN Ø8*44 F. PANDA BACK, PVC	PCS	1	5707292186690
46	0610516	COUNTER INSEX M5*16	PCS	4	5707292138644
47	1125000	SCREENWASHER FZB BLACK 5/16*30	PCS	4	5707292140470
48	5550260	SYET SELEHOLDER, INDV.PAN.FUTUR	PCS	4	5707292178459
49	0380000	CABLE TIGHTER M5*23	PCS	1	5707292135933
52	75527	BØSNING Ø10*28-M6	PCS	1	5707292460790
55	75523	BESLAG FOR RYG JUST.	PCS	1	5707292460745
56	0602485	INSEX M8*25, LOW HEAD, STAINLESS	PCS	8	5707292432216
58	75291	HEXAGON KEY NV=5	PCS	1	5707292437655
59	75517	Håndtag for armlæn venstre	PCS	1	5707292466693
60	0529320	CYL.STIFT Ø4,0X50 MM.	PCS	2	5707292467201
61	75003	Baseplate 3	PCS	1	5707292458766
62	1810055	PLADESKRUE ST 2,9*6,5	PCS	1	5707292469519
63	0235080	SPRING CLIP	PCS	1	5707292442901
159	1350010	DISTANCEPART BLACK 8*15*8,2MM	PCS	2	5707292140883
160	2207030	Springstopper L=403/268	PCS	1	5707292466082
161	0380060	CABLING, FLEXIBLE	PCS	1	5707292425195
162	5002930	SPRING STOPPER OUTER CASING	PCS	1	5707292472038
165	0371853	STRAINED WIRES 1,5MM 19T.	PCS	1	5707292135889



Printed: 17-08-2010

Parallevej 3
112 79 68 58 88
Tel: +45 75 66 51 92
Fax: +45 75 66 51 92
E-mail: r82@r82.dk
Web: www.r82.com

R82

Scale: 1:7.5
Weight: 36833g
Swift: thh
Date: 29-05-2007

Product: Accessories for Panda 5
Form: A3
Drawing no.: 79352

Tot: DS/ISO 2768-m

5	16.08.10	Washer added (Arrest) pos.118	per
4	09.07.09	Abduction block added	lpa
3	14.01.08	delete pos. 130	lth
2	06.11.07	add 128 & 129	lth

Position	Art. No.	Description	Unit of Measure	Quantity	Ean code
100*	75537	RAIL FOR ARMREST	PCS	2	5707292460325
	75538	RAIL FOR ARMREST, +10 cm	PCS	2	5707292472540
101	0602479	INSEX M6*8, RUSTFRI	PCS	2	5707292465412
102	0602207	INSEX M6*18, STAINLESS	PCS	4	5707292430380
103	1105060	STAINLESS WASHER 6MM	PCS	4	5707292140357
104	74063	TOOTHED DISK O30*9	PCS	4	5707292377968
105	1603500	STEEL NUT 8MM, LARGE PACK	PCS	2	5707292141286
106	75392	HOLDER FOR ARMREST, RIGHT	PCS	1	5707292454775
107*	6175158	ARMREST PAD,RIGHT, SHORT	PCS	1	5707292189264
	6175163	ARMREST PAD,RIGHT, LONG	PCS	1	5707292443151
109*	6175160	ARMREST PAD,LEFT, SHORT	PCS	1	5707292189271
	6175164	ARMREST PAD,LEFT, LONG	PCS	1	5707292443168
111	75391	HOLDER FOR ARMREST, LEFT	PCS	1	5707292454768
112	0659580	BUTTON HEAD SCREW 6*30 MM	PCS	2	5707292139481
113	75395	LOCK, ARMREST & TABLE	PCS	2	5707292454799
114	75390	BUSH FOR STAND, ARMREST	PCS	2	5707292454751
115	0310113	RF.TRYKFJ 1,2*16indv.*20	PCS	2	5707292453143
116	3501635	R82 handle Dia., 35*24 M8	PCS	2	5707292451910
117	1310539	DISTANCE PIECE 12/8,4*5MM	PCS	4	5707292423474
121	1940010	PLASTITE 60, 2,9*6,5	PCS	5	5707292142573
122	4913034	APLIX 30 MM, HOOK BLACK W/TAPE	METER	0,24	5707292151858
123	3503001	R82 HANDLE M8*15MM SCREW	PCS	1	5707292413925
124	75502	Back extension	PCS	1	5707292466884
125	75503	coverplate f. backextension	PCS	1	5707292466891
126	89658-UB	CUSHION FOR BACK EXTENSION, 5	PCS	1	5707292471949
127	89658-60	COVER, BACK EXT. SIZE 5	PCS	1	5707292472380
128	0640911	BUTTON HEAD M5*10 FZB TUFLOK	PCS	2	5707292428479
129	75306	SNAP LOCK R82 25	PCS	2	5707292437624
131	4447944	SIDESUPPORT, LEFT, PANDA-5	PCS	1	5707292472120
132	89813-560R	COVER FOR BACKSIDE, RIGHT	PCS	1	5707292477699
133	75508	BACK SIDE, RIGHT, PANDA 5	PCS	1	5707292466907
134	4913034	APLIX 30 MM, HOOK BLACK W/TAPE	METER	0,32	5707292151858
135	0662501	BUTTON HEAD M/FLANGE 8*25	PCS	4	5707292403759
136	4447943	SIDESUPPORT RIGHT, PANDA-4	PCS	1	5707292472113
137	89813-560L	COVER FOR BACKSIDE, LEFT	PCS	1	5707292477675
138	75509	BACK SIDE, LEFT, PANDA 5	PCS	1	5707292466914
142-146	89642-560	CURVED SEATEXTEN SZ.5 BLACK	PCS	1	5707292472588
147	0602190	INSEX SCREW 6*12	PCS	2	5707292138088
150	99xxxxx-xx	Head support			
152	81155	ROD FOR BACKEXTENSION	PCS	1	5707292112781
153	2504000	FERRULE E15*1,0-2,0 INT.BLACK	PCS	2	5707292144102
160	6175114	POMMEL SIZE 4, BLACK PUR	PCS	1	5707292189134
161	74543	BRACE F. ABDUCTION BLOCK	PCS	1	5707292419064
162	0641600	BUTTON HEAD SCREW 6*16	pcs	4	5707292139269
164	81626	MOUNTING F.POMMEL, PANDA PVC	PCS	1	5707292117175
165	3503001	R82 HANDLE M8*15MM SCREW	PCS	1	5707292413925
166	1811275	CUTTING SCREW 4*30MM	PCS	2	5707292141743