

kudu™ Accessories

Exploded views / Part lists

Rev. date (09.2014)

On the following pages you will find the parts used to assemble this product. Please note that some spare parts cannot be purchased individually but are part of a complete kit. Please also note that for some spare parts extra delivery time may occur.

Accessories



Head support with cover
9500x-xx
For correct position and support

See the Accessories section at the back of the catalog, for further information on options and measurements



Back extension cushion
95743-xx
Supports the upper back

Size Measurements
1 +5 cm or +10 cm
2 +5 cm or +10 cm
3 +5 cm or +10 cm
4 +5 cm or +10 cm



Fixed side supports
95401+00

Type Measurements
9 W:9 X:H: 10 cm
5 W:16 X:H: 15 cm
6 W:12 X:H: 14 cm



Swing-away side supports
0310xx-xx

See the Accessories section at the back of the catalog, for further information on options and measurements



Arm rests, incl. side plates
95712x
Height adjustable and provide arm support

One size



Tray
9576350

See the Accessories section at the back of the catalog, for further information on options and measurements



Swing-away knee supports, set
95860-xx
Provide control and positioning

Type Size
1+2 Small
3+4 Medium



Rucksack
94480-x
Extra space for storage

Type Size
1+2 Small
3+4 Medium



Calf support
85131-xx
For parted foot rests
For extra support and comfort

One size



Calf support
85131
Centrally mounted foot plate
For extra support and comfort

Size Measurements
1 H:15 x W: 30 cm



Heel band for parted foot rests
85132-xx

One size



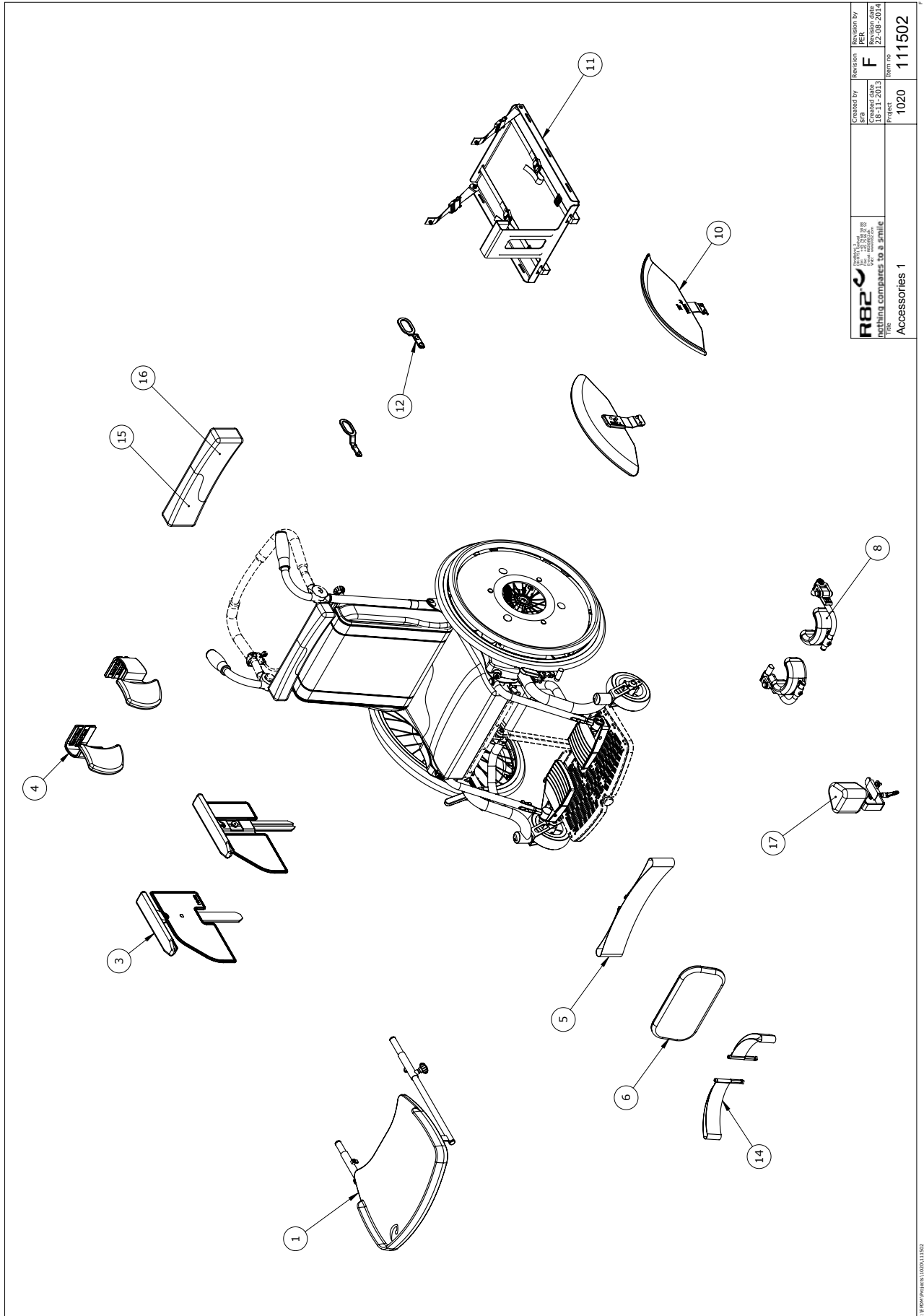
Mud guards
9520xx
Available for 20", 22" and 24"


One size



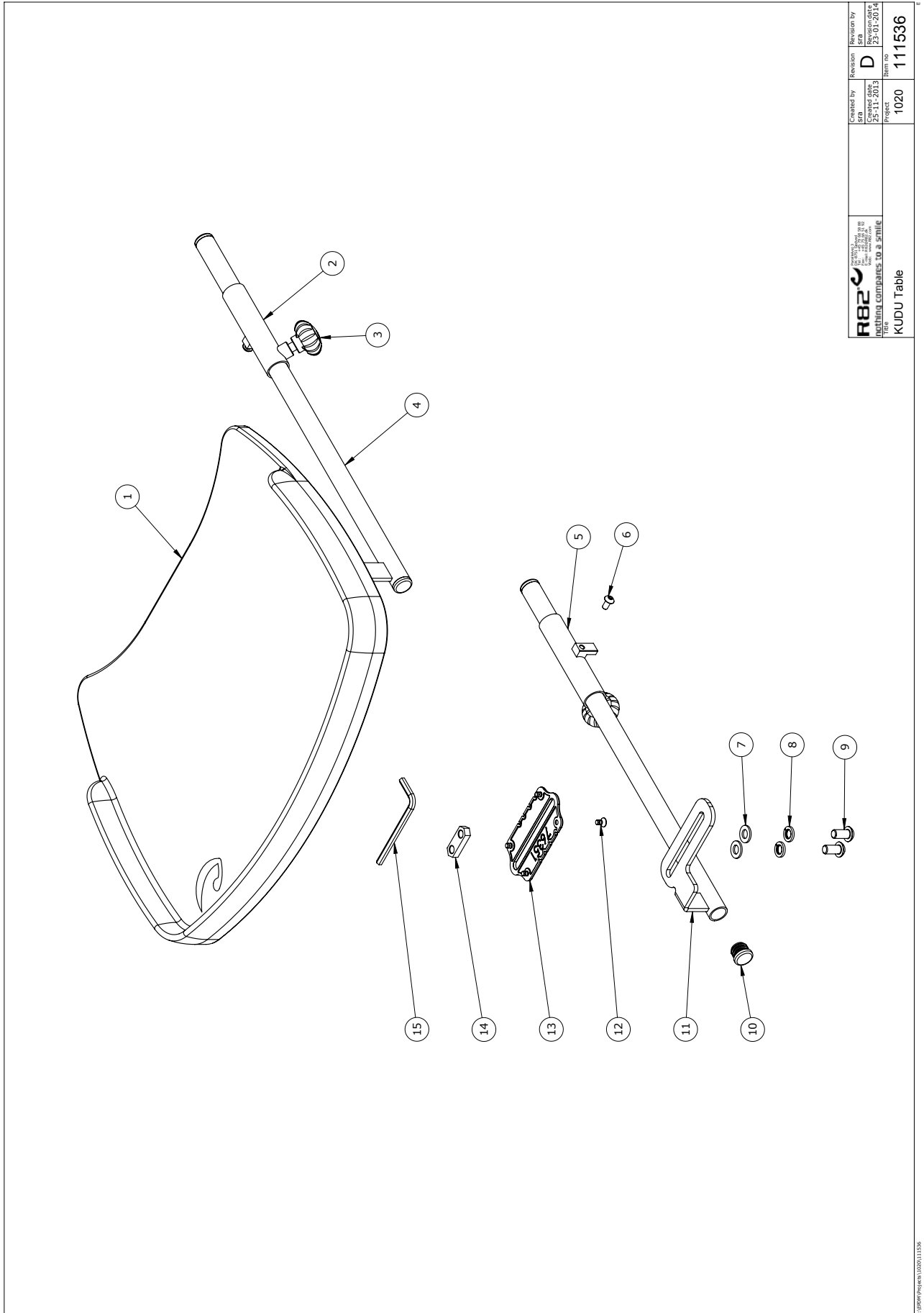
Contents

Kudu accessories (111502)	3 - 4
Tray (111536).....	5 - 6
Arm rests (111363).....	7 - 8
Fixed side supports (111365)	9 - 10
Swing-away knee supports (111557).....	11 - 12
Mudguards (111362).....	13 - 14
Vent tray (111359).....	15 - 16
Transport fittings (100492).....	17 - 18



 R82 nothing compares to a smile The	Created by Revision by Created date Revision date	F 22-08-2014	Item no. 111502
	Project 1020	Accessories 1	

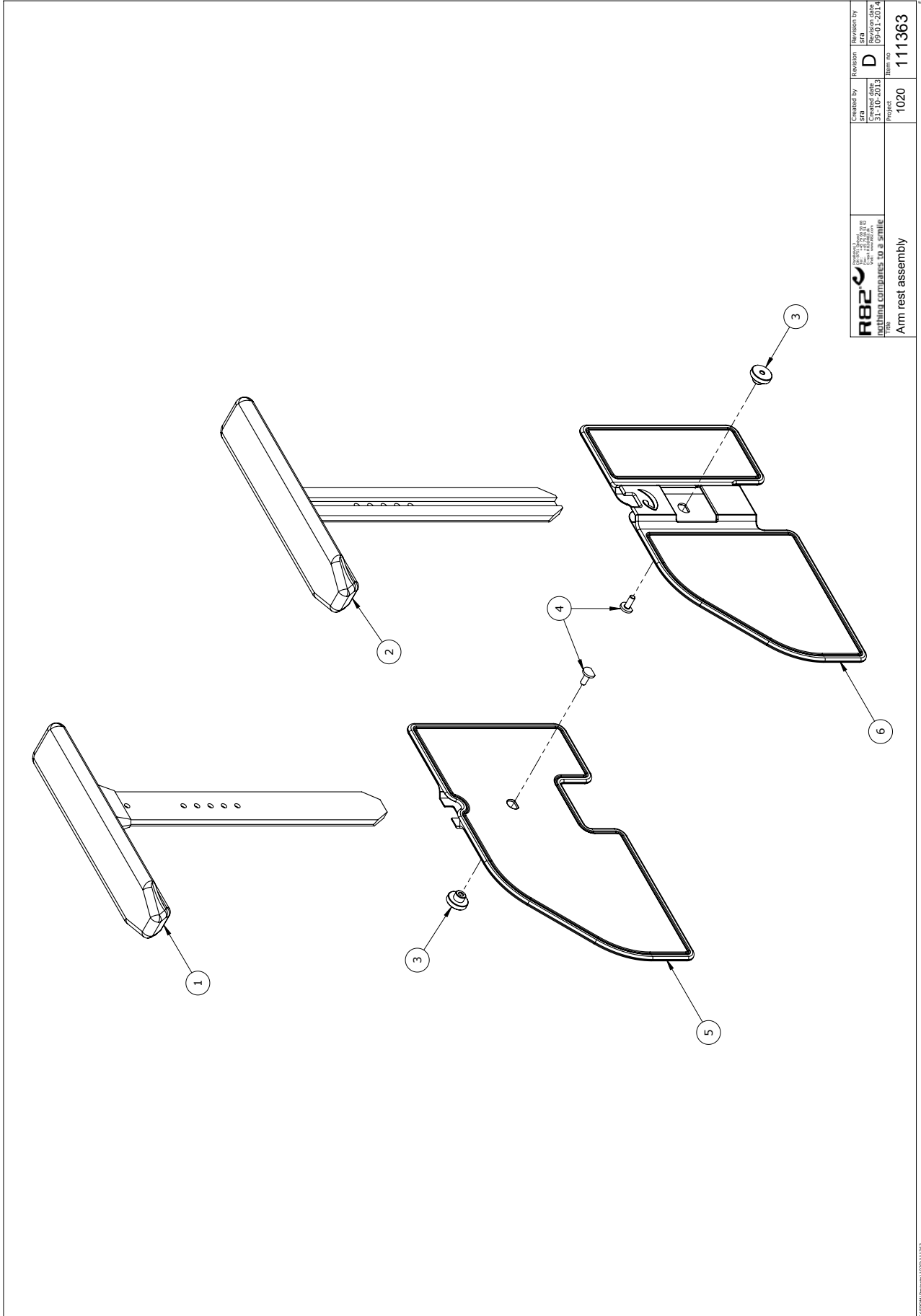
Position	Art nr.	Description	Quantity	Unit of measure	Ean kode
1	9576350	Tray for sizes 1-4	1,00	pcs	5707292586452
3	95712-1	Arm rests, for sz. 1+2	1,00	set	5707292586230
3	95712-3	Arm rests, for sz. 3+4	1,00	set	5707292586247
4	95401-10	Side supports, type 1	1,00	set	5707292586414
4	95401-20	Side supports, type 2	1,00	set	5707292586421
4	95401-30	Side supports, type 3	1,00	set	5707292586438
5	85131-10	Calf support	1,00	pcs	5707292586407
6	85131	Legsupport 15x30 cm,black pvc	1,00	set	5707292127280
8	95860-10	Swing-away knee supports, small	1,00	set	5707292586384
8	95860-20	Swing-away knee supports, medium	1,00	set	5707292586391
10	952020	Mud guards 20"	1,00	set	5707292586261
10	952022	Mud guards 22"	1,00	set	5707292586278
10	952024	Mud guards 24"	1,00	set	5707292586285
10	952022-7	Mud guards 22" rear and 7" front wheels	1,00	set	5707292589453
10	952024-7	Mud guards 24" rear and 7" front wheels	1,00	set	5707292589460
11	95281-10	Vent tray for Kudu	1,00	pcs	5707292586476
12	95900-10	Transport fittings	1,00	set	5707292586506
14	85132-10	Heel band	1,00	set	5707292586315
15+16	95743-105	Back extension cushion, size 1 +5cm	1,00	pcs	5707292586742
15+16	95743-110	Back extension cushion, size 1 +10cm	1,00	pcs	5707292586759
15+16	95743-205	Back extension cushion, size 2 +5cm	1,00	pcs	5707292586766
15+16	95743-210	Back extension cushion size 2 +10cm	1,00	pcs	5707292586773
15+16	95743-305	Back extension cushion size 3 +5cm	1,00	pcs	5707292586780
15+16	95743-310	Back extension cushion size 3 +10cm	1,00	pcs	5707292586797
15+16	95743-405	Back extension cushion size 4 +5cm	1,00	pcs	5707292586803
15+16	95743-410	Back extension cushion size 4 +10cm	1,00	pcs	5707292586810
17	6175111	Pommel size 1, black pur	1,00	pcs	5707292189103
17	6175112	Pommel size 2, black pur	1,00	pcs	5707292189110
17	6175113	Pommel size 3, black pur	1,00	pcs	5707292189127
17	6175114	Pommel size 4, black pur	1,00	pcs	5707292189134




R82 <small>RESEARCH IN THE FIELD OF LIGHTING COMPARES TO A SMILE</small>	Checked by SFB	Reviewed by SFB	Revision by D
	Creation date 25-01-2013	Revision date 25-01-2014	Revision no. 111536
Project 1020			Part no. 111536

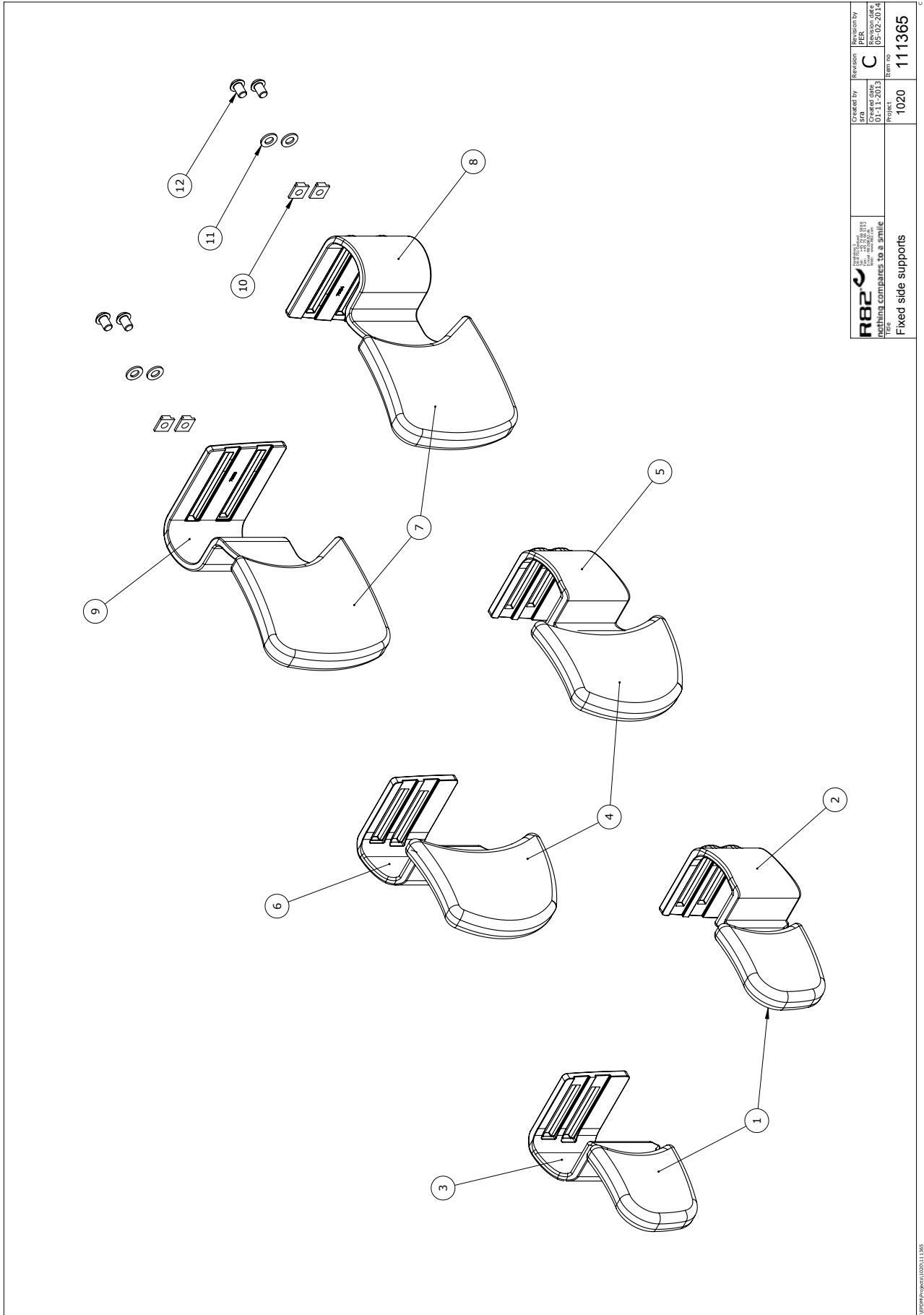
KUDU Table


C:\R82\PIKCHA\1020\111536

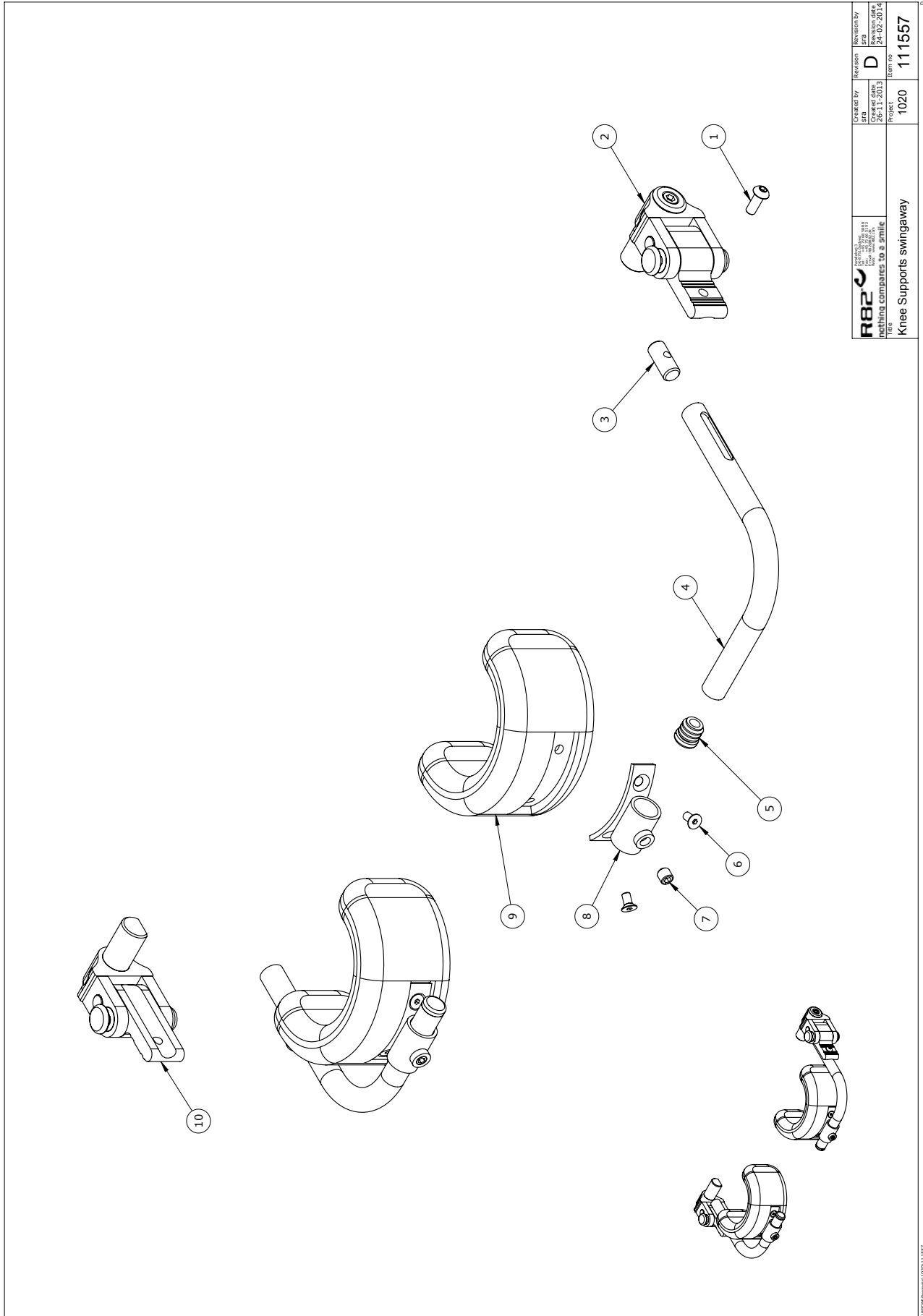


 R82 <small>ROBBERING COMPANIES OF DENMARK</small> <small>ROBBERING COMPANIES OF DENMARK</small>	Created by	Revision	Revision by
	ERM	D	ERM
	31-10-2013		09-01-2014
	Project	Item no	
	1020	111363	
Arm rest assembly			

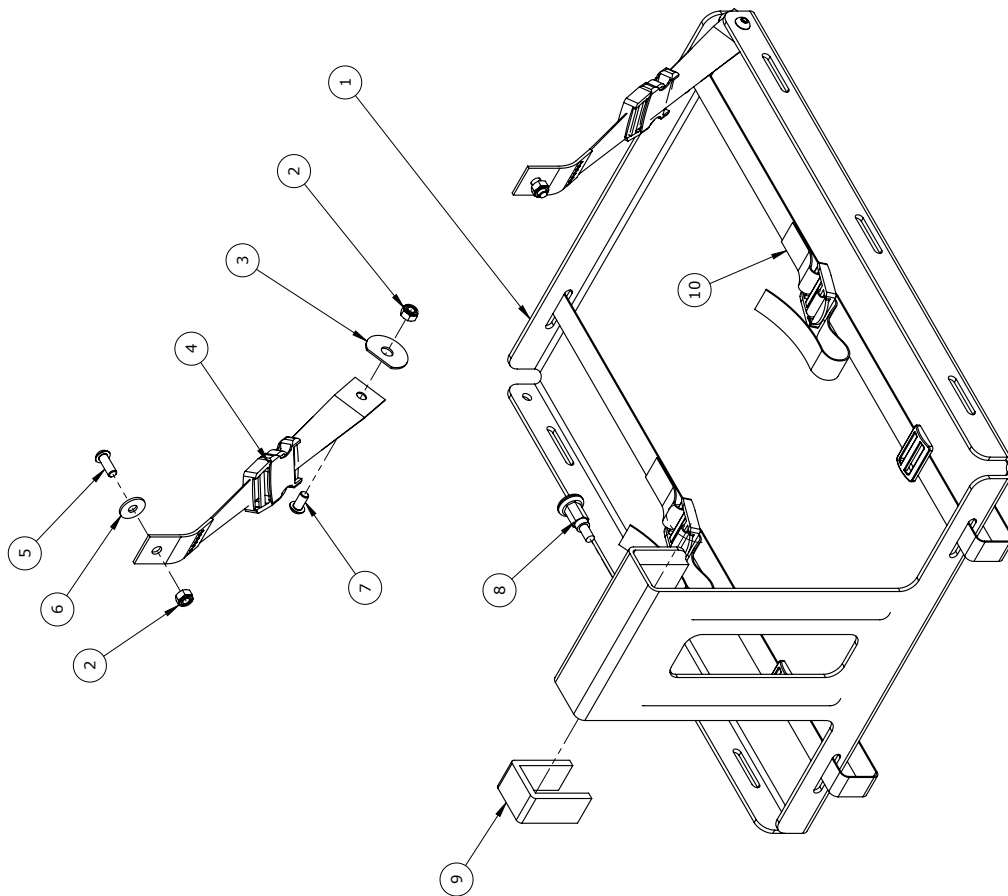
Position	Art nr.	Description	Quantity	Unit of measure	Ean kode
95712-1 + 95712-3					
1	111447	Arm rest right	1,00	Pieces	5707292586049
2	111444	Arm rest left	1,00	Pieces	5707292586032
3	111103	Arm rest nut, black	1,00	Pieces	5707292586070
4	111101	Arm rest bolt	1,00	Pieces	5707292586056
5	111263	Side plate right size 1+2	1,00	Pieces	5707292586209
5	111102	Side plate right size 3+4	1,00	Pieces	5707292587190
5	111264	Side plate left size 1+2	1,00	Pieces	5707292586063
6	108973	Side plate left size 3+4	1,00	Pieces	5707292587206



 R82 A/S Parallelvej 3 8751 Gedved Denmark	Created by	Reviewed by	Revision by
	SFB	PER	PER
	Creation date	Creation date	Revision date
	12-02-2013	12-02-2013	05-02-2014
	Project no.	Item no.	
	1020	111365	
Fixed side supports			

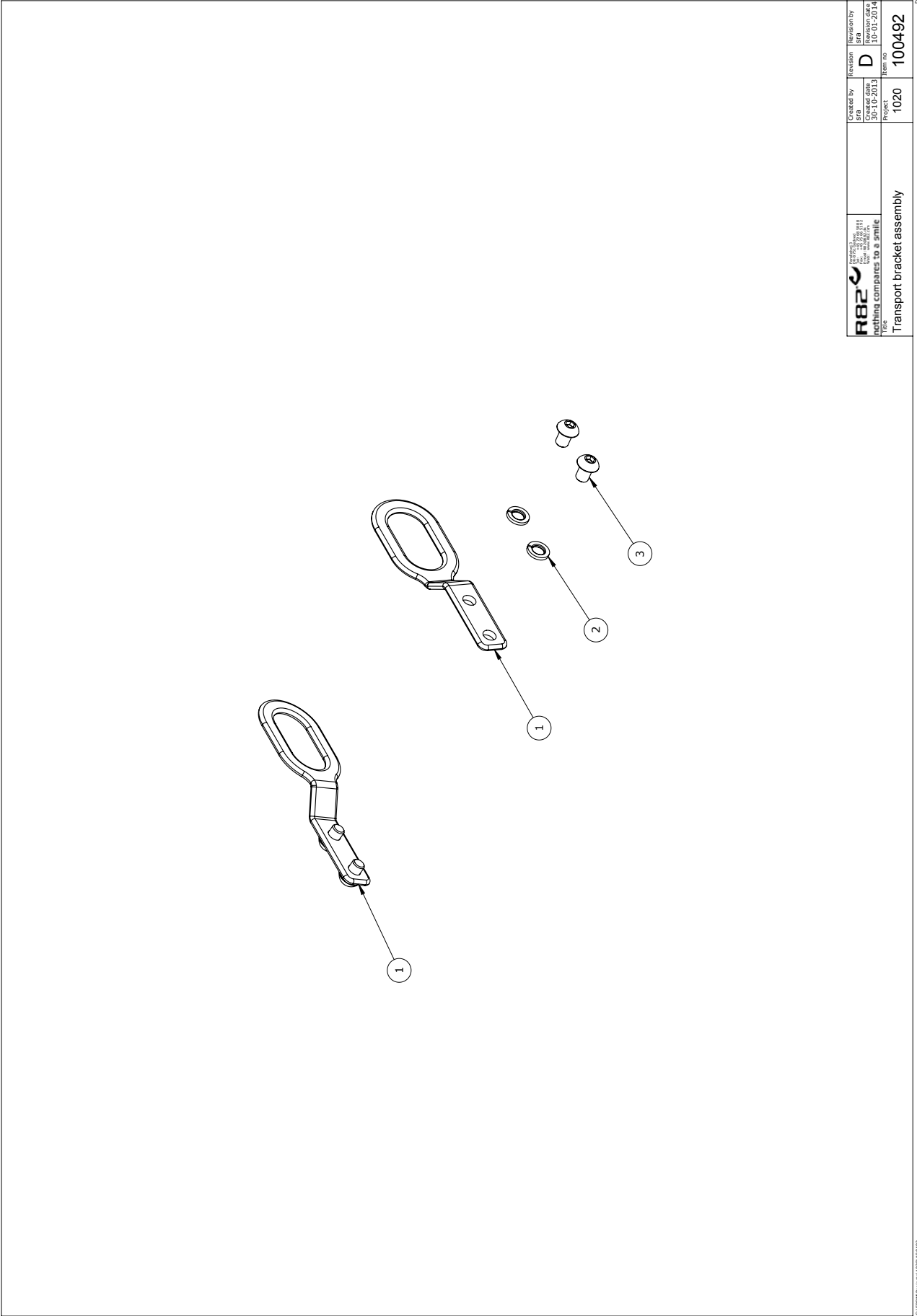


R82 <small>Nothing compares to a smile</small> Knee Supports swingaway	Created by	Revision	Revision by
	Item	D	Item
	26-11-2013		24-02-2014
	Project	Item no.	
	1020	111557	



R82 <small>INDUSTRIAL</small> <small>TECHNICAL COMPANIES TO A SMILE</small>	Created by SFB	Reviewed by SFB	Revisions by SFB
	Created date 12-07-2013	Checked date 12-07-2013	Revision date 25-10-2014
Part no. 1020		Item no. 111359	
Ventray assembly			

© R82 2014



 R82 A/S Nothing compares to a smile This	Created by	Revision	Revision by
	SRM	D	ERA
	30-10-2013	10-01-2014	
	Project	Item no.	
	1020	100492	
Transport bracket assembly			

