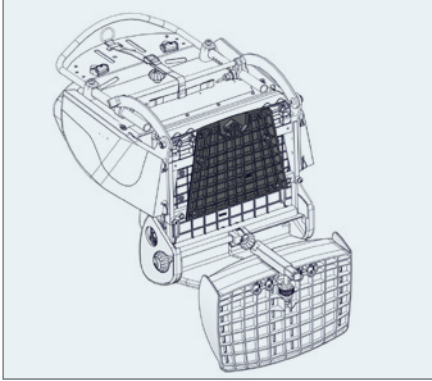


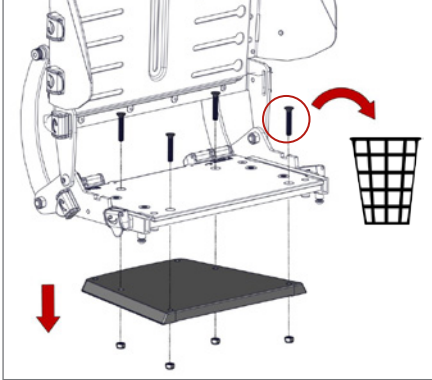
1.  Stingray | -> 2015



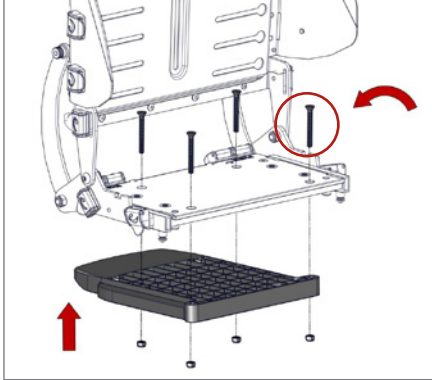
2.  5 mm



3.  4 mm



4.  4 mm - 2,5 Nm



5.  5 mm - 2,5 Nm



6.  Stingray | 2015 ->

